



With two separate flows and a directly mounted By-Pass valve, the Sunfab's SCPD 56/26 By-Pass DIN is the most flexible compact fixed flow pump on the market.

SCPD 56/26 DIN By-Pass is ideal for combination vehicles which require different flows and where there is a need to operate equipment while moving. The pump is primarily intended for engine-mounted power take-offs. The constant engagement is made possible by the By-Pass valve, which immediately relieves the load on the pump and power take-off when oil is not required. The pressure drop of the By-Pass valve is very low, so its function is energy efficient.

Other advantages:

- The By-Pass valve can relieve the load from full operating pressure of 400 bar, which allows emergency stop function
- The valve's 24 V solenoids have integrated electrical cables which meet protection class ADR

Versions, main data

SC	PD	-	56/26	L	-	V	-	DL4	-	L35	-	S0	S	-	2	00
Line	1		2	3		4		5		6		7	8		9	10

Line	SC	Sunfab Compact, bent-axis design
------	----	----------------------------------

1. Type	P	Dual flow pump
---------	---	----------------

2. Displacement		56/26
-----------------	--	-------

3. Direction of rotation	R	Right
	L	Left

4. Shaft seal	V	FPM
---------------	---	-----

5. Mounting flange	DL4	DIN 4-h (ISO 7653D)
--------------------	-----	---------------------

6. Shaft	L35	DIN 5462 / ISO 14
	H35	DIN 5462 / ISO 14 Ø 8.15

7. Connection cover	S0	40° Sunfab standard
---------------------	----	---------------------

8. Connections	S	Sunfab standard
----------------	---	-----------------

9. Additional	2	Optimised
---------------	---	-----------

10. Accessories	00	No accessories available
-----------------	----	--------------------------

Double by-pass valve Art. no 20536 is ordered seperately.

SCPD 56/26 DIN By-Pass

Theoretical oil flow, A+B at pump speed		
rpm		l/min
	600	34+16=50
	1000	56+26=82
	1200	67+31=98
	1500	84+39=123
	1800	101+47=148

Displacement A+B	
cm ³ /rev	56.0+26.1

Max pump speed A+B	
rpm	1850

Max pump speed A	
rpm	1850

Max pump speed B	
rpm	2200

Max pump speed, relieved	
rpm	2700

Max working pressure	
bar	400

Weight without valve	
kg	18.0

Weight with valve	
kg	22.5

Tare-weight torque without valve	
Nm	21.0

Tare-weight torque with valve	
Nm	25.5

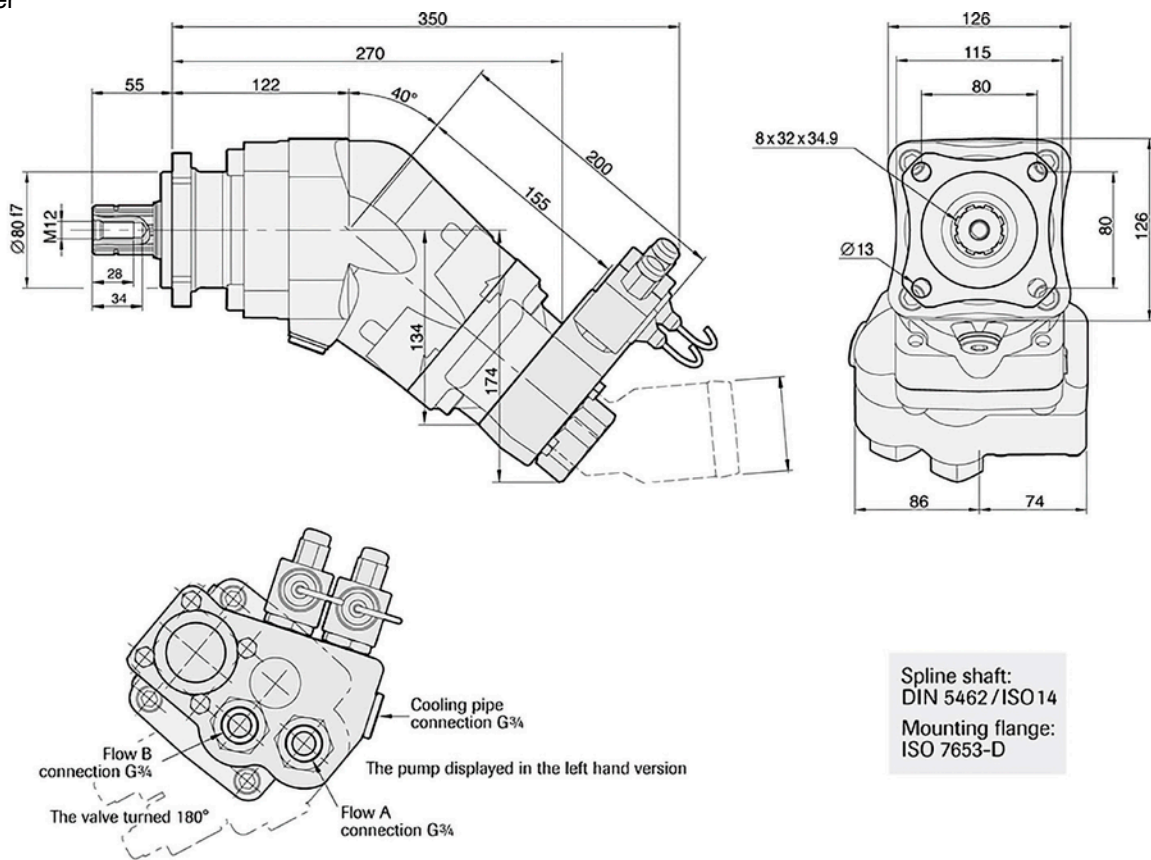
Theoretical power at pressure and pump speed				
rpm		200 Bar	300 Bar	400 Bar
	600	11.2+5.2=16.4 kW	16.8+7.8=24.6 kW	22.4+10.4=32.8 kW
	1200	22.4+10.4=32.8 kW	33.6+15.6=49.2 kW	44.8+20.8=65.6 kW
	1800	33.6+15.6=49.2 kW	50.4+23.4=73.8 kW	67.2+31.2=98.4 kW

Nominal torque on pump shaft at different pressures			
	200 Bar	300 Bar	400 Bar
	178+83=261 Nm	267+124=391 Nm	356+165=521 Nm

Direction of rotation	
Left (L) or Right (R)	

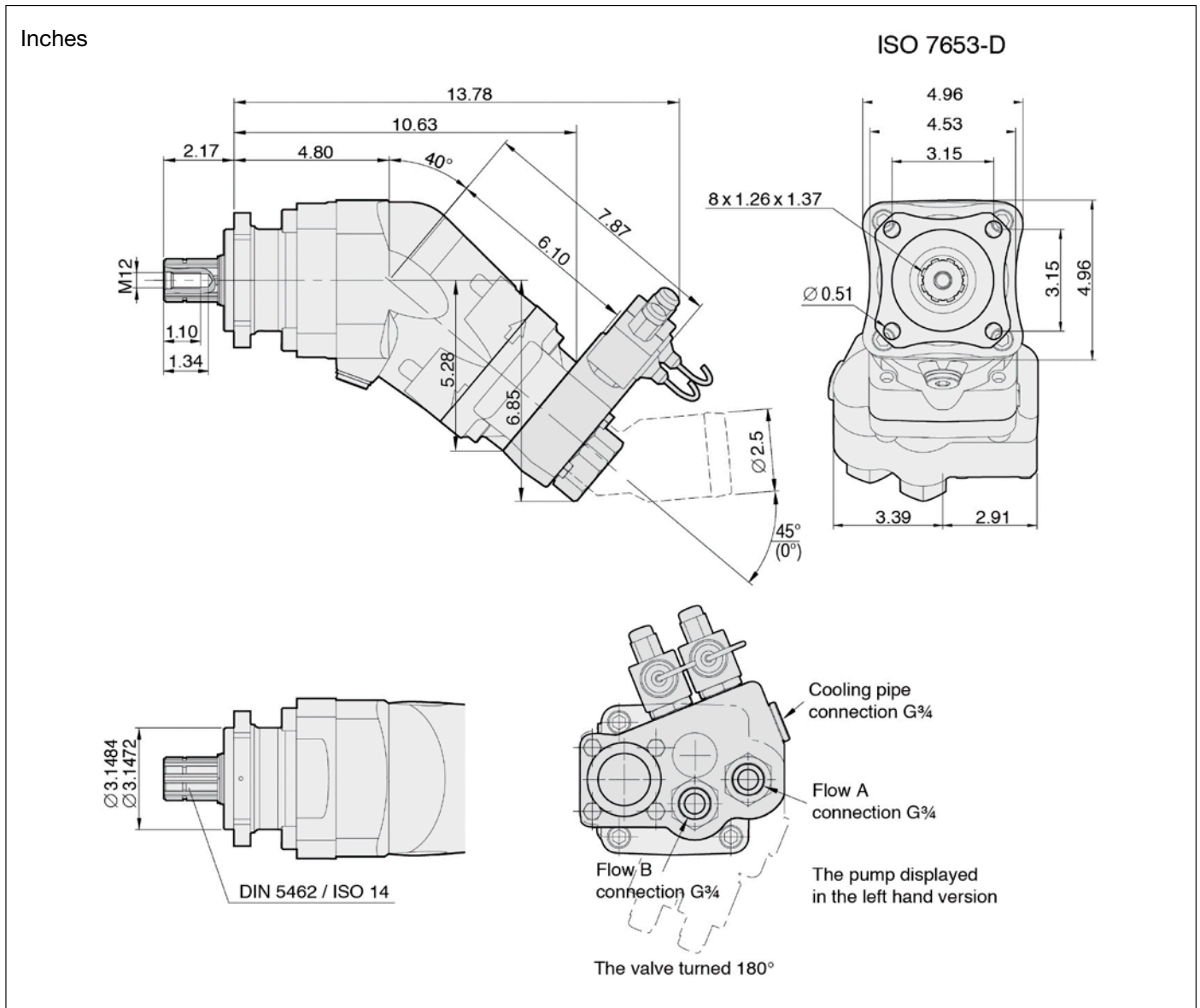
Dimensions SCPD 56/26 DIN By-Pass

Millimeter



Spline shaft:
DIN 5462 / ISO 14
Mounting flange:
ISO 7653-D

Dimensions SCPD 56/26 DIN By-Pass





WARNING!

When the pump is running:

1. Do not touch the pressure hose
2. Watch out for rotating parts
3. The pump and hoses may be hot

Sunfab reserves the right to make changes in design and dimensions without notice. Printing and typesetting errors reserved.

© Copyright 2023 Sunfab Hydraulics AB. All Rights Reserved.