



**SCP 012-108 SAE is a series of piston pumps with a fixed displacement for demanding mobile hydraulics.**

Sunfab SCP 012-108 SAE pumps are equipped with shafts and flanges according to the SAE-B and SAE-C standard. They are available in the range from 0.77 - 6.59 cu in/rev. It is a modern, compact pump which meets the market's high demands on flow performance, pressure, efficiency and small installation dimensions.

The pump is either mounted directly on the power take-off or on a frame bracket via an intermediate shaft.

**Other advantages:**

- High maximum speed while maintaining low noise levels
- Smooth operation over the entire speed range
- Long life due to high demands on material selection, such as bearings, seals, etc
- O-rings on all contact surfaces as well as double shaft seals eliminate oil leakage from the pump and power take-off

## Versions, main data

Example

SC	P	-	084	L	-	N	-	SC4	-	C14	-	S0	S	-	0	00
Line	1		2	3		4		5		6		7	8		9	10

Line	SC	Sunfab Compact, bent-axis design
------	----	----------------------------------

1. Type	P	Pump
---------	---	------

2. Displacement	012	017	025	034	040	047	056	064	084	108
-----------------	-----	-----	-----	-----	-----	-----	-----	-----	-----	-----

3. Direction of rotation	R	Right
	L	Left

4. Shaft seal	N	Nitrile
---------------	---	---------

5. Mounting flange		012	017	025	034	040	047	056	064	084	108
SB4	SAE B4	X	X	X	X	X	X	X	X	-	-
SC4	SAE C4	-	-	-	-	X	X	X	X	X*	X*

6. Shaft		012	017	025	034	040	047	056	064	084	108
B13	SAE B 13t	-	-	X	X	X	X	X	X	-	-
H13	SAE B 13t	X	X	X	X	X	X	X	X	-	-
C14	SAE C 14t	-	-	-	-	X	X	X	X	X	X

7. Connection cover	S0	40° Sunfab standard
---------------------	----	---------------------

8. Connections	S	Sunfab standard
----------------	---	-----------------

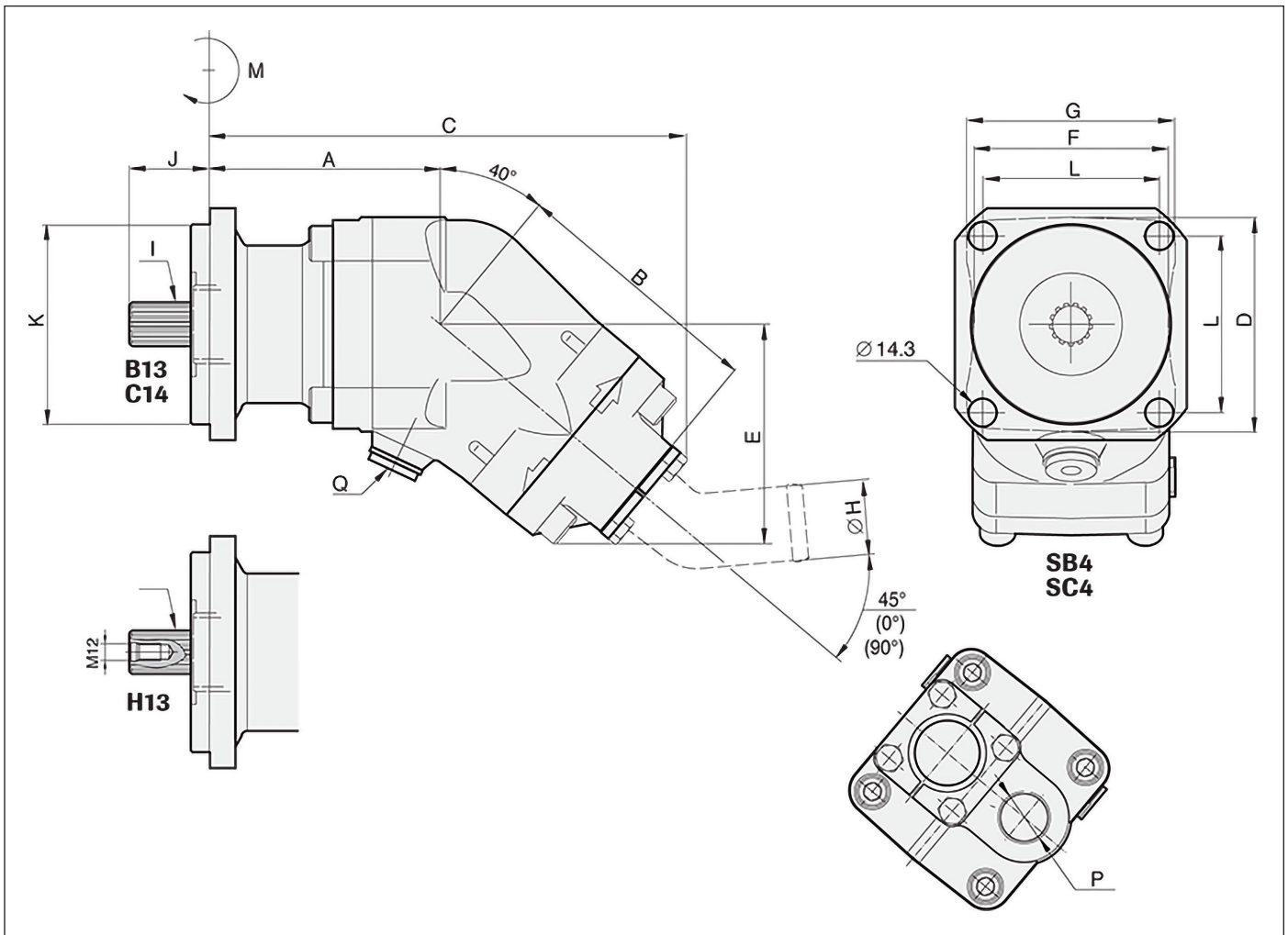
9. Additional	0	-
---------------	---	---

10. Accessories	00	No accessories available
-----------------	----	--------------------------

SCP 012-108 SAE		012	017	025	034	040	040	047	047	056	056	064	064	084	108
		SAE B	SAE B	SAE B	SAE B	SAE B	SAE C	SAE B	SAE C	SAE B	SAE C	SAE B	SAE C	SAE C	SAE C
rpm	500	1.7	2.2	3.4	4.5	5.4	5.4	6.2	6.2	7.5	7.5	8.4	8.4	11.0	14.3
	1000	3.3	4.5	6.7	9.0	10.9	10.9	12.4	12.4	15.0	15.0	16.8	16.8	22.1	28.5
	1500	5.0	6.7	10.1	13.6	16.3	16.3	18.7	18.7	22.5	22.5	25.2	25.2	33.1	42.8
<b>Displacement</b>															
cu in/rev		0.77	1.04	1.55	2.09	2.51	2.51	2.87	2.87	3.46	3.46	3.88	3.88	5.10	6.59
<b>Max pump speed</b>															
rpm	<i>continuous</i>	2300	2300	2300	2300	1900	1900	1900	1900	1900	1900	1900	1900	1500	1500
	<i>intermittent</i>	3000	3000	3000	3000	2500	2500	2500	2500	2500	2500	2500	2500	2000	2000
<b>Max working pressure</b>															
psi		5800	5800	5800	5800	5800	5800	5800	5800	5800	5800	5075	5800	5800	5800
<b>Weight</b>															
lb		19.2	19.0	19.6	19.4	27.1	31.5	27.1	31.5	27.1	31.5	26.9	31.1	41.9	41.9
<b>Tare-weight torque (M)</b>															
lb-ft		5.1	5.1	5.5	5.5	9.6	9.6	9.6	9.6	9.6	9.6	9.6	9.6	15.5	15.5
<b>Direction of rotation</b>															
Left (L) or Right (R)															

Flange bolt holes dia 0.56 in

Millimeter (inch)



	012 SAE B4	017 SAE B4	025 SAE B4	034 SAE B4	040 SAE B4	040 SAE C4	047 SAE B4	047 SAE C4	056 SAE B4	056 SAE C4	064 SAE B4	064 SAE C4	084 SAE C4	108 SAE C4
A	101 (3.98)	101 (3.98)	101 (3.98)	101 (3.98)	117 (4.61)	119 (4.69)	117 (4.61)	119 (4.69)	117 (4.61)	119 (4.69)	117 (4.61)	119 (4.69)	128 (5.04)	128 (5.04)
B	117 (4.61)	117 (4.61)	117 (4.61)	117 (4.61)	130 (5.12)	130 (5.12)	130 (5.12)	130 (5.12)	130 (5.12)	130 (5.12)	130 (5.12)	130 (5.12)	147 (5.79)	147 (5.79)
C	209 (8.23)	209 (8.23)	209 (8.23)	209 (8.23)	235 (9.25)	237 (9.33)	235 (9.25)	237 (9.33)	235 (9.25)	237 (9.33)	235 (9.25)	237 (9.33)	262 (10.3)	262 (10.3)
D	99 (3.90)	99 (3.90)	99 (3.90)	99 (3.90)	109 (4.29)	109 (4.29)	109 (4.29)	109 (4.29)	109 (4.29)	109 (4.29)	109 (4.29)	109 (4.29)	126 (4.96)	126 (4.96)
E	97 (3.82)	97 (3.82)	97 (3.82)	97 (3.82)	112 (4.41)	112 (4.41)	112 (4.41)	112 (4.41)	112 (4.41)	112 (4.41)	112 (4.41)	112 (4.41)	126 (4.96)	126 (4.96)
F	89 (3.50)	89 (3.50)	89 (3.50)	89 (3.50)	99 (3.90)	99 (3.90)	99 (3.90)	99 (3.90)	99 (3.90)	99 (3.90)	99 (3.90)	99 (3.90)	115 (4.53)	115 (4.53)
G	97 (3.82)	97 (3.82)	97 (3.82)	97 (3.82)	106 (4.17)	106 (4.17)	106 (4.17)	106 (4.17)	106 (4.17)	106 (4.17)	106 (4.17)	106 (4.17)	123 (4.84)	123 (4.84)
H	38 (1.5)	38 (1.5)	38 (1.5)	38 (1.5)	38 (1.5)	38 (1.5)	38 (1.5)	38 (1.5)	38 (1.5)	38 (1.5)	38 (1.5)	38 (1.5)	50 (2.0)	50 (2.0)
	50 (2.0)	50 (2.0)	50 (2.0)	50 (2.0)	50 (2.0)	50 (2.0)	50 (2.0)	50 (2.0)	50 (2.0)	50 (2.0)	50 (2.0)	50 (2.0)	64 (2.5)	64 (2.5)
I	SAE B 13T16/32DP	SAE B 13T16/32DP	SAE B 13T16/32DP	SAE B 13T16/32DP	SAE B 13T16/32DP	SAE C 14T12/24DP	SAE B 13T16/32DP	SAE C 14T12/24DP	SAE B 13T16/32DP	SAE C 14T12/24DP	SAE B 13T16/32DP	SAE C 14T12/24DP	SAE C 14T12/24DP	SAE C 14T12/24DP
J	41 (1.61)	41 (1.61)	41 (1.61)	41 (1.61)	41 (1.61)	56	41 (1.61)	56 (2.20)	41 (1.61)	56 (2.20)	41 (1.61)	56 (2.20)	56 (2.20)	56 (2.20)
K	101.6 (4.0)	101.6 (4.0)	101.6 (4.0)	101.6 (4.0)	101.6 (4.0)	127.0 (5.0)	101.6 (4.0)	127.0 (5.0)	101.6 (4.0)	127.0 (5.0)	101.6 (4.0)	127.0 (5.0)	127.0 (5.0)	127.0 (5.0)
L	89.8 (3.54)	89.8 (3.54)	89.8 (3.54)	89.8 (3.54)	89.8 (3.54)	114.5 (4.51)	89.8 (3.54)	114.5 (4.51)	89.8 (3.54)	114.5 (4.51)	89.8 (3.54)	114.5 (4.51)	114.5 (4.51)	114.5 (4.51)
P	3/4	3/4	3/4	3/4	3/4	3/4	3/4	3/4	3/4	3/4	3/4	3/4	1	1
Q	1/2	1/2	1/2	1/2	1/2	1/2	1/2	1/2	1/2	1/2	1/2	1/2	1/2	1/2



**WARNING!**

When the pump is running:

1. Do not touch the pressure hose
2. Watch out for rotating parts
3. The pump and hoses may be hot

Sunfab reserves the right to make changes in design and dimensions without notice. Printing and typesetting errors reserved.

© Copyright 2023 Sunfab Hydraulics AB. All Rights Reserved.