



SAP/SAPT 012-130 DIN is a series of light weight casing piston pumps with a fixed displacement for demanding mobile hydraulics.

SAP 012-108 DIN covers the displacement range 12-108 cm³/rev. at a maximum pressure of 400 bar. It is a modern, compact pump which meets the market's high demands on flow performance, pressure, efficiency and small installation dimensions. The pump is either mounted directly on the power take-off or on a frame bracket via an intermediate shaft.

SAPT 090, 130 is an addition to the SAP series that supports larger flows and pressure up to 300 bar. Ideal for applications that require both a high flow and a high working pressure.

Other advantages:

- Light weight metal casing design
- Smooth operation over the entire speed range
- Long life due to high demands on materials
- Corrosion free light metal-housing
- Less heat generation due to better ability to dissipate heat through housing

Versions, main data

SA	P	-	084	L	-	N	-	DL4	-	L35	-	S0	S	-	0	00
Line	1		2	3		4		5		6		7	8		9	10

Line	SA	Sunfab Aluminium
------	----	------------------

1. Type	P	Pump
	PT*	Tipper pump

*Only available in 090 and 130

2. Displacement	012	017	025	034	040	047	056	064	084	090*	108	130*
-----------------	-----	-----	-----	-----	-----	-----	-----	-----	-----	------	-----	------

*Only available as SAPT

3. Direction of rotation	R	Right
	L	Left

4. Shaft seal	N	Nitrile
	V*	HNBR

*Can withstand higher temperature, e.g. on engine PTO. Not available for 012-034.

5. Mounting flange	DL4	DIN 4-h (ISO 7653D)
--------------------	-----	---------------------

6. Shaft	L35	DIN 5462 / ISO 14
	H35*	DIN 5462 / ISO 14 Ø 8.15

*Not available on SAPT 090.

7. Connection cover	S0	40° Sunfab standard
---------------------	----	---------------------

8. Connections	S	Sunfab standard
----------------	---	-----------------

9. Additional	0	-
---------------	---	---

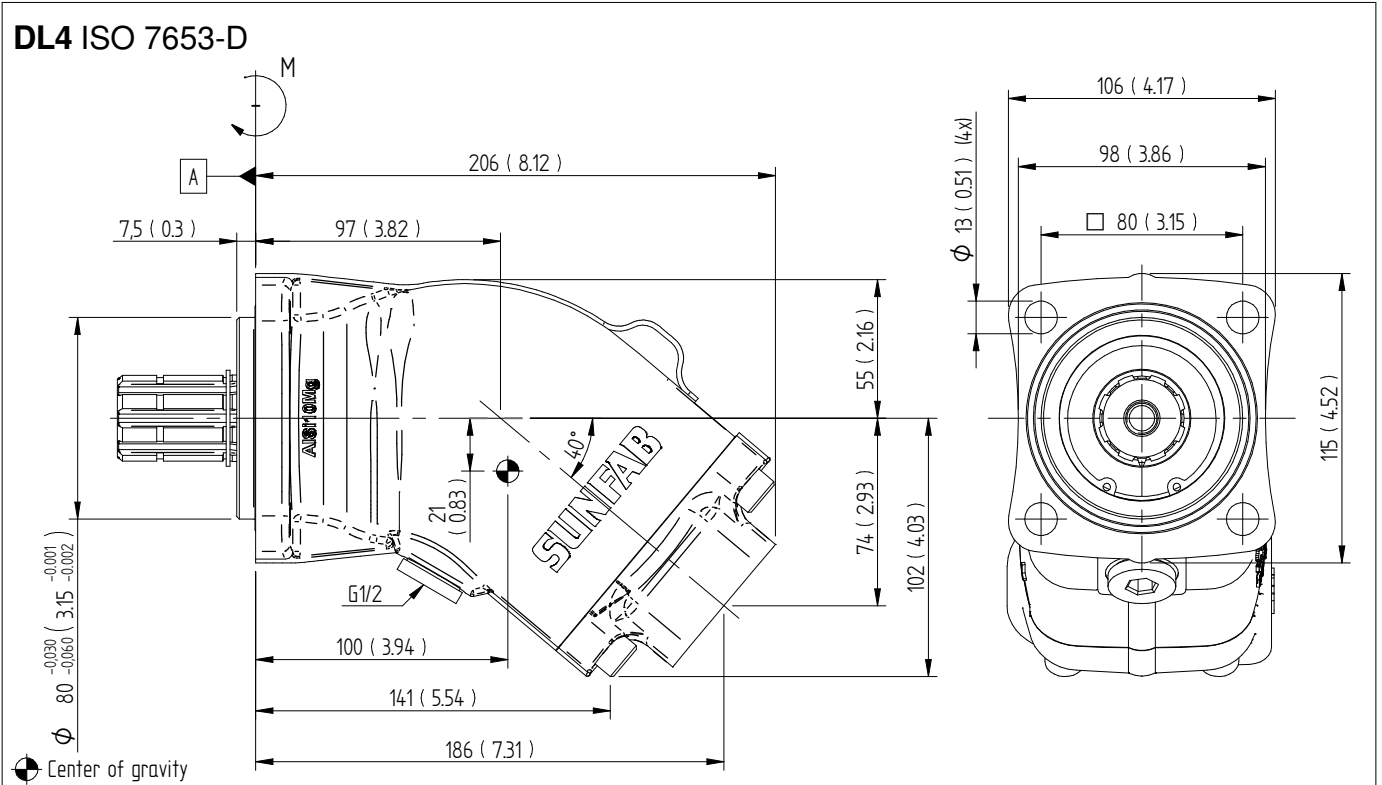
10. Accessories	00	No accessories available
-----------------	----	--------------------------

SAP/SAPT 012-108 DIN		012	017	025	034	040	047	056	064	084	090*	108	130*
Theoretical oil flow l/min at pump speed													
rpm	500	6	9	13	17	21	24	28	32	42	45	54	65
	1000	13	17	25	34	41	47	57	64	84	90	108	130
	1500	19	26	38	51	62	71	85	95	125	135	162	195
Displacement													
cm ³ /rev		12.6	17.0	25.4	34.2	41.2	47.1	56.7	63.6	83.6	90.0	108.0	130.0
Max pump speed													
<i>continuous</i>	rpm	2300	2300	2300	2300	1900	1900	1900	1900	1600	1500	1600	1500
<i>intermittent</i>		3000	3000	3000	3000	2500	2500	2500	2500	2100	2000	2100	2000
Max working pressure													
bar		400	400	400	400	400	400	400	400	400	300	400	300
Weight													
kg		6.9	6.9	7.1	7.1	9.8	9.8	9.8	9.8	13.9	9.8	13.9	13.9
Tare-weight torque (M)													
Nm		6.7	6.7	7.0	7.0	11.5	11.5	11.5	11.5	18.5	11.5	18.5	18.5
Direction of rotation													
Left (L) or Right (R)													

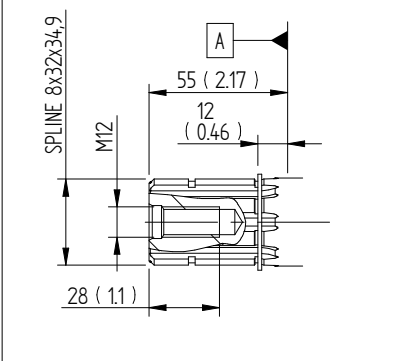
*SAPT

Dimensions SAP 012-034 DIN

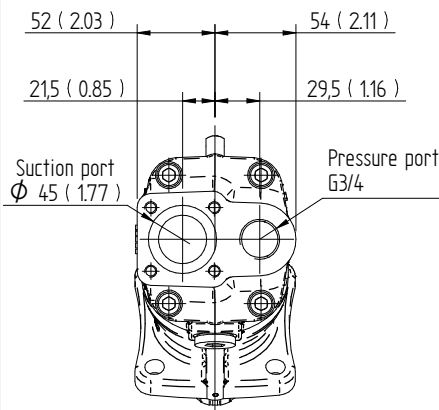
Millimeter (inch)



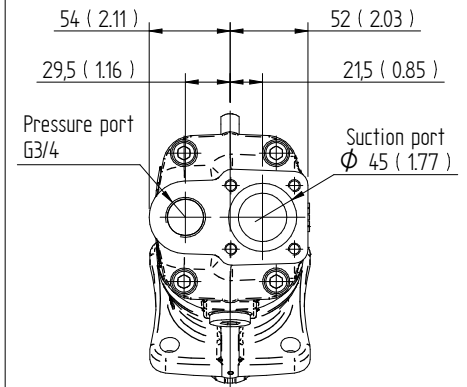
L35 DIN 5462 / ISO 14



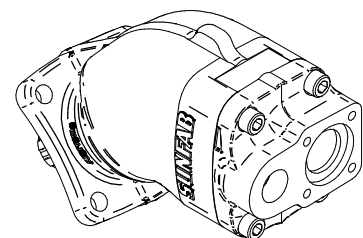
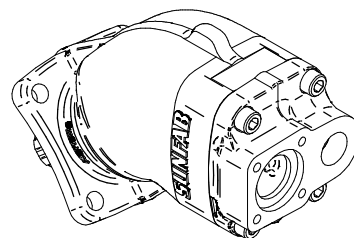
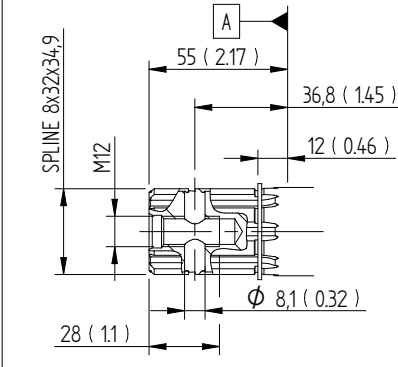
S0S Left rotation (L)



S0S Right rotation (R)

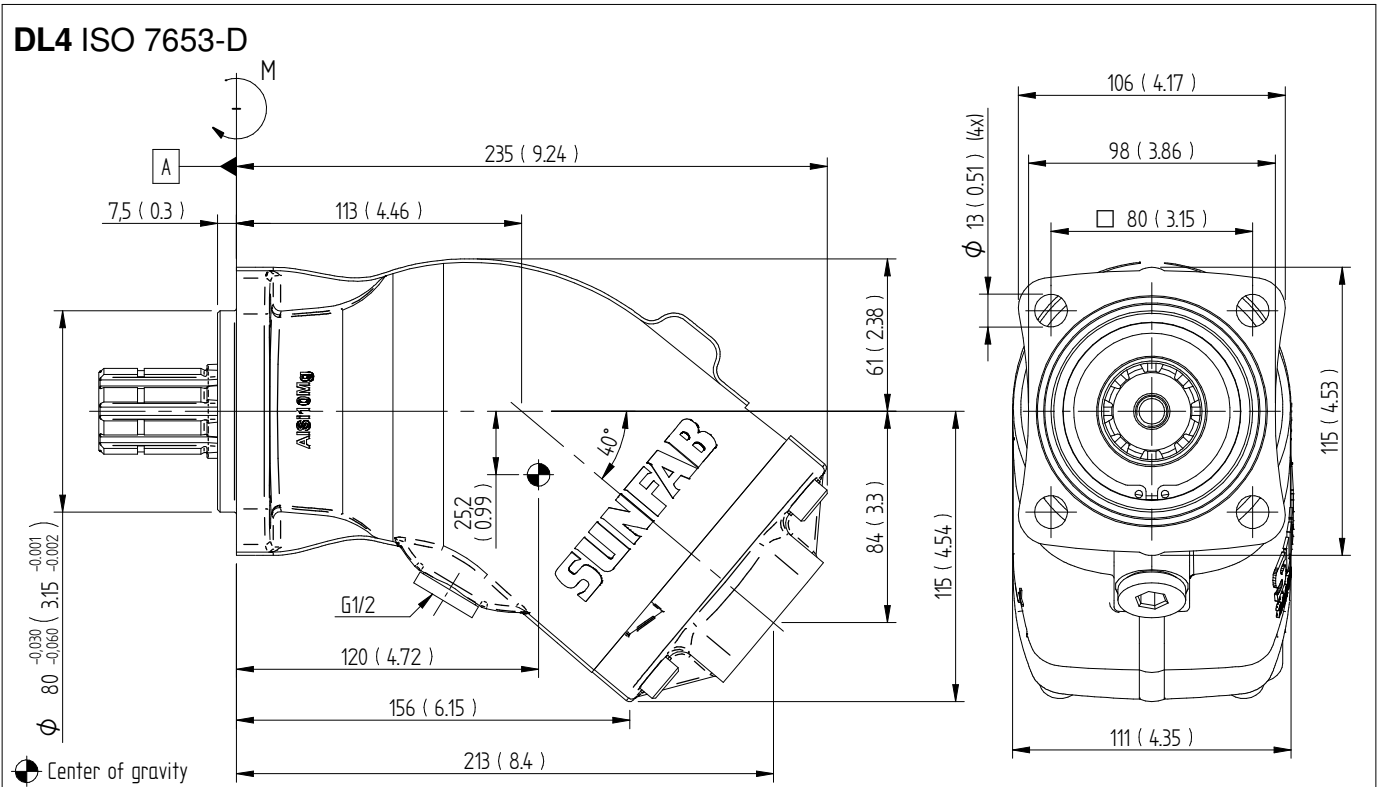


H35 DIN 5462 / ISO 14

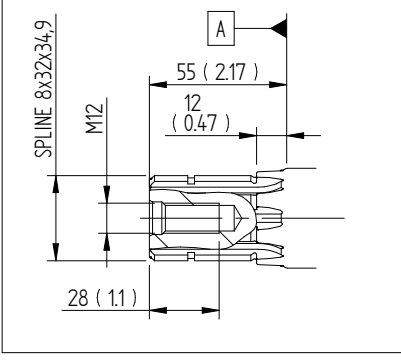


Dimensions SAP 040-064 DIN, SAPT 090 DIN

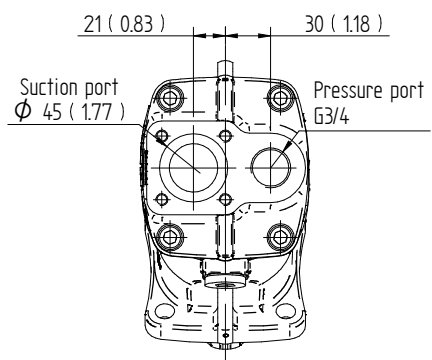
Millimeter (inch)



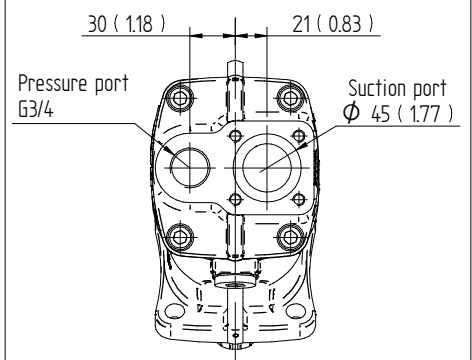
L35 DIN 5462 / ISO 14



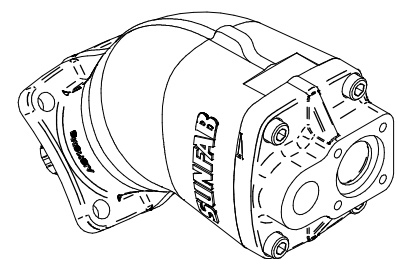
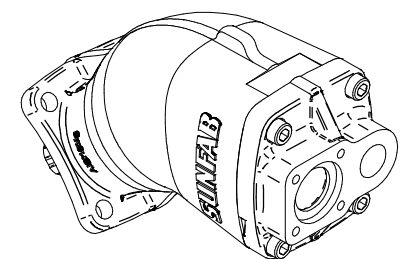
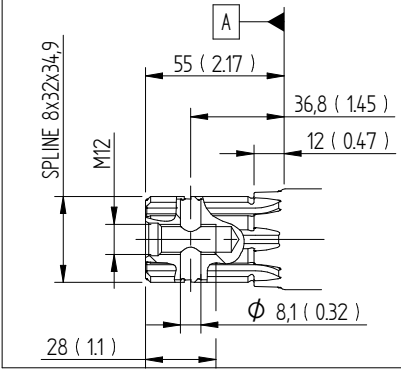
S0S Left rotation (L)



S0S Right rotation (R)

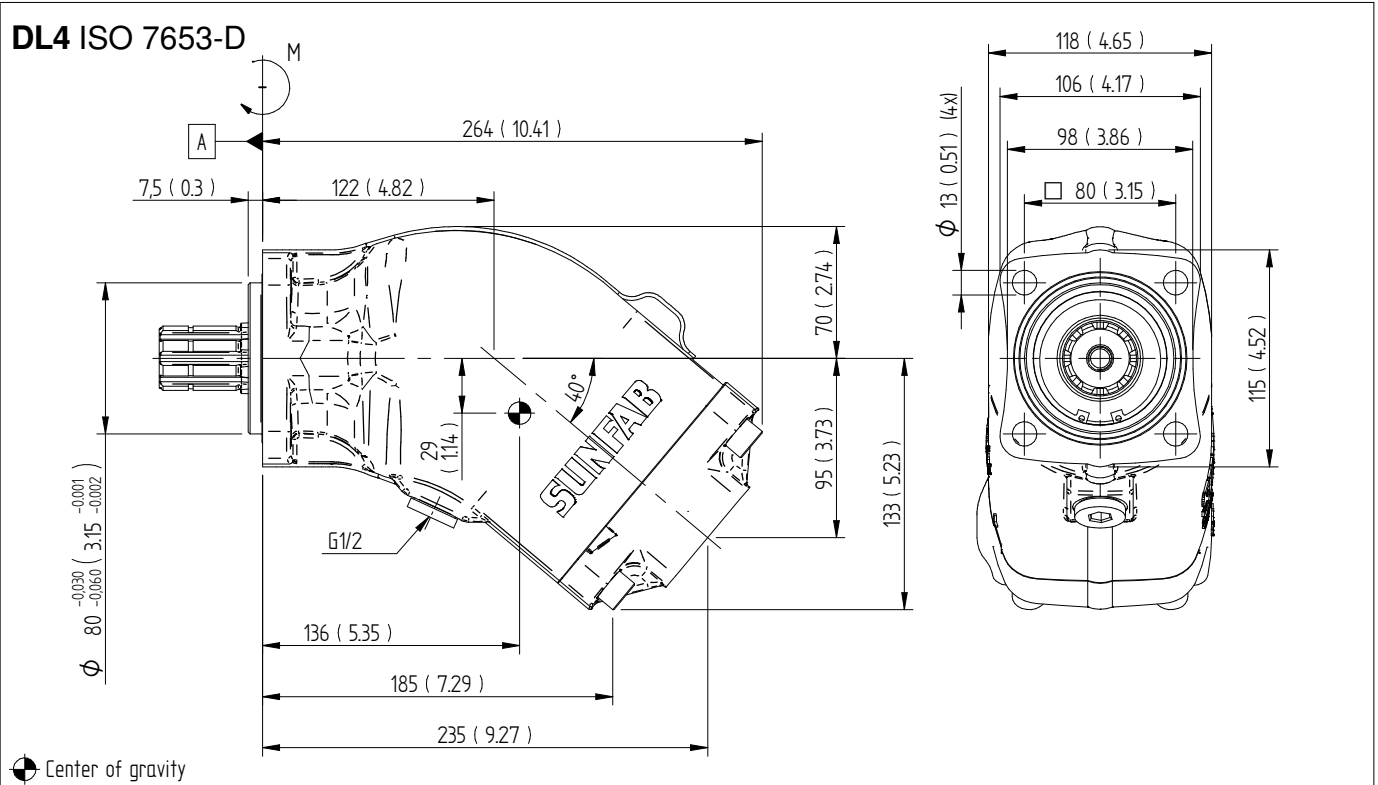


H35 DIN 5462 / ISO 14

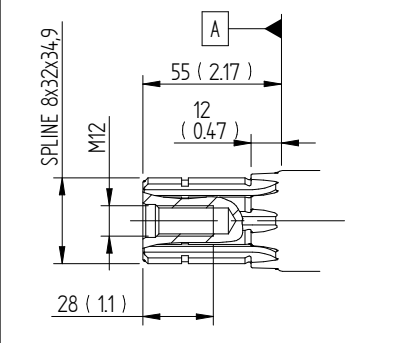


Dimensions SAP 084-108 DIN, SAPT 130 DIN

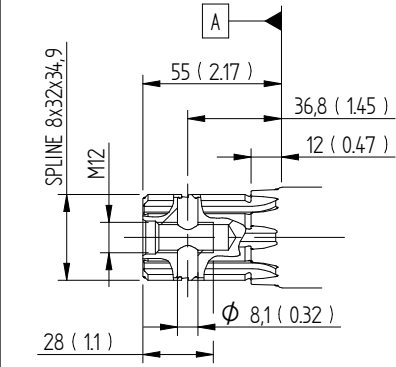
Millimeter (inch)



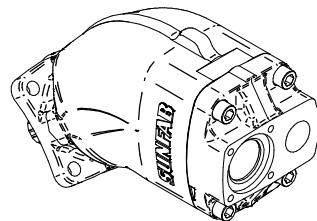
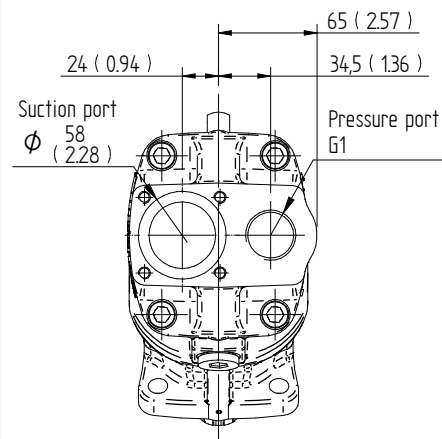
L35 DIN 5462 / ISO 14



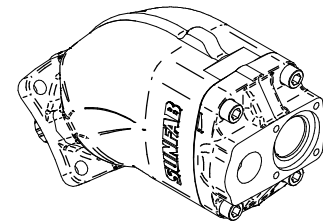
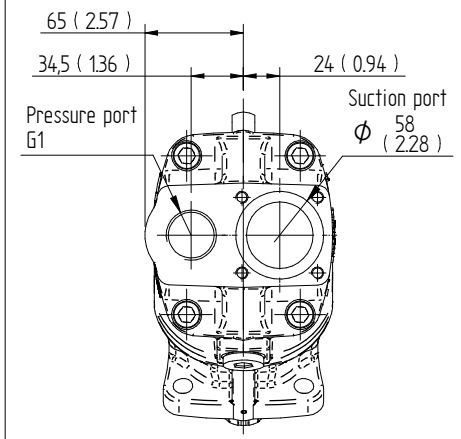
H35 DIN 5462 / ISO 14



S0S Left rotation (L)



S0S Right rotation (R)





WARNING!

When the pump is running:

1. Do not touch the pressure hose
2. Watch out for rotating parts
3. The pump and hoses may be hot

Sunfab reserves the right to make changes in design and dimensions without notice. Printing and typesetting errors reserved.

© Copyright 2023 Sunfab Hydraulics AB. All Rights Reserved.