



SLPD 20/20-64/32 DIN Savtec is equipped with a shut-off valve, this makes it possible to control so that oil only feeds when required.

SLPD 20/20-64/32 DIN Savtec's valve is available as pneumatic remote control. The signal is obtained from a panel switch or automatically from, e.g. the parking brake, pressure sensor or diode gate.

Other advantages:

- Independent direction of rotation
- A cost effective total solution in relation to a conventional installation using two pumps with a splitter gear box
- Smooth operation over the entire speed range
- Long life due to high demands on material selection, such as bearings, seals, etc.
- O-rings on all contact surfaces as well as double shaft seals eliminate oil leakage from the pump and power takeoff
- Extremely low noise emission over entire speed and pressure ranges
- The Savtec valve can also be used as an emergency stop

Versions, main data

Example

| | | | | | | | | | | | | | | | |
|------|----|---|-------|---|---|---|---|-----|---|-----|---|----|---|---|---|
| SL | PD | - | 46/46 | W | - | N | - | DL4 | - | L35 | - | S4 | S | - | 4 |
| Line | 1 | | 2 | 3 | | 4 | | 5 | | 6 | | 7 | 8 | | 9 |

Line

| | |
|----|----------------|
| SL | Sunfab In-Line |
|----|----------------|

1. Type

| | |
|---|----------------|
| P | Dual flow pump |
|---|----------------|

2. Displacement

| | | | | | | | |
|-------|-------|-------|-------|-------|-------|-------|-------|
| 20/20 | 28/28 | 40/20 | 35/35 | 56/28 | 46/46 | 53/53 | 64/32 |
|-------|-------|-------|-------|-------|-------|-------|-------|

3. Direction of rotation

| | |
|---|--|
| W | |
|---|--|

4. Shaft seal

| | |
|----|-----|
| V* | FPM |
|----|-----|

*Can withstand higher temperature, e.g. on engine PTO.

5. Mounting flange

| | |
|-----|---------------------|
| DL4 | DIN 4-h (ISO 7653D) |
|-----|---------------------|

6. Shaft

| | |
|-----|-------------------|
| L35 | DIN 5462 / ISO 14 |
|-----|-------------------|

7. Connection cover

| | |
|----|----------------------|
| S4 | Sunfab standard SLPD |
|----|----------------------|

8. Connections

| | |
|---|-----------------|
| S | Sunfab standard |
|---|-----------------|

9. Additional

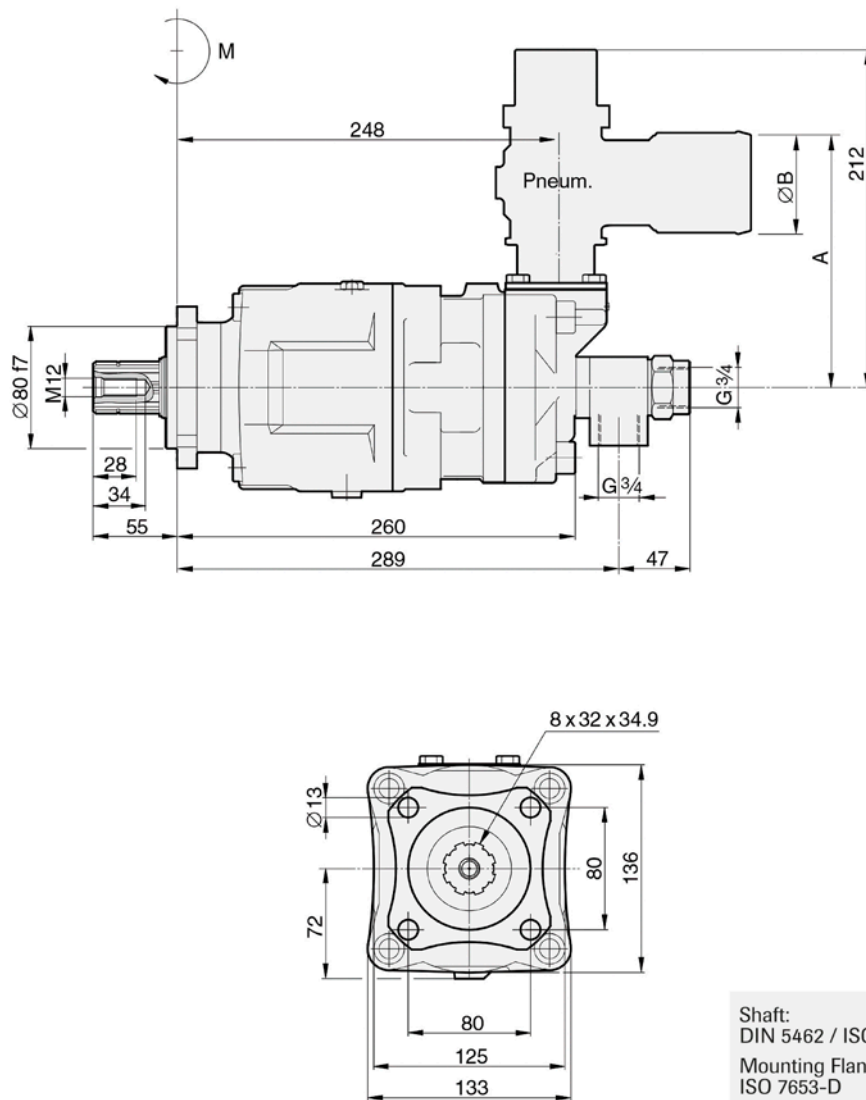
| | |
|---|--------|
| 4 | Savtec |
|---|--------|

| SLPD 20/20-64/32 DIN SAVTEC | 20/20 | 28/28 | 40/20 | 35/35 | 56/28 | 46/46 | 53/53 | 64/32 | |
|---|-------|-----------|-----------|-----------|-----------|-----------|-----------|-----------|-----------|
| Theoretical oil flow l/min at pump speed | | | | | | | | | |
| rpm | 500 | 10+10=20 | 14+14=28 | 20+10=30 | 17+17=34 | 27+14=41 | 23+23=46 | 26+26=52 | 32+16=48 |
| | 1000 | 20+20=40 | 28+28=56 | 41+20=61 | 34+34=68 | 55+28=83 | 46+46=92 | 53+53=106 | 63+32=95 |
| | 1500 | 31+31=62 | 41+41=82 | 61+31=92 | 51+51=102 | 82+41=123 | 69+69=138 | 79+79=158 | 95+47=142 |
| Displacement | | | | | | | | | |
| cm ³ /rev | | 20.4+20.4 | 27.5+27.5 | 40.7+20.4 | 33.9+33.9 | 54.9+27.5 | 45.8+45.8 | 52.6+52.6 | 63.1+31.5 |
| Max pump speed | | | | | | | | | |
| rpm | | 2200 | 1800 | 2200 | 2200 | 1800 | 1800 | 1600 | 1600 |
| Max pump speed, relieved | | | | | | | | | |
| rpm | | 3000 | 2500 | 3000 | 3000 | 2500 | 2500 | 2500 | 2500 |
| Max working pressure | | | | | | | | | |
| bar | | 350 | 350 | 350 | 330 | 350 | 330 | 330 | 350 |
| Weight | | | | | | | | | |
| kg | | 23.5 | 23.5 | 23.5 | 23.5 | 23.5 | 23.5 | 23.5 | 23.5 |
| Tare-weight torque (M) | | | | | | | | | |
| Nm | | 29.5 | 29.5 | 29.5 | 29.5 | 29.5 | 29.5 | 29.5 | 29.5 |
| Direction of rotation | | | | | | | | | |
| Independent | | | | | | | | | |

Maximum pressure combined with maximum speed is only allowed during intermittent operation (max. 6 sec/min)

Dimensions SLPD 20/2064/32 DIN SAVTEC

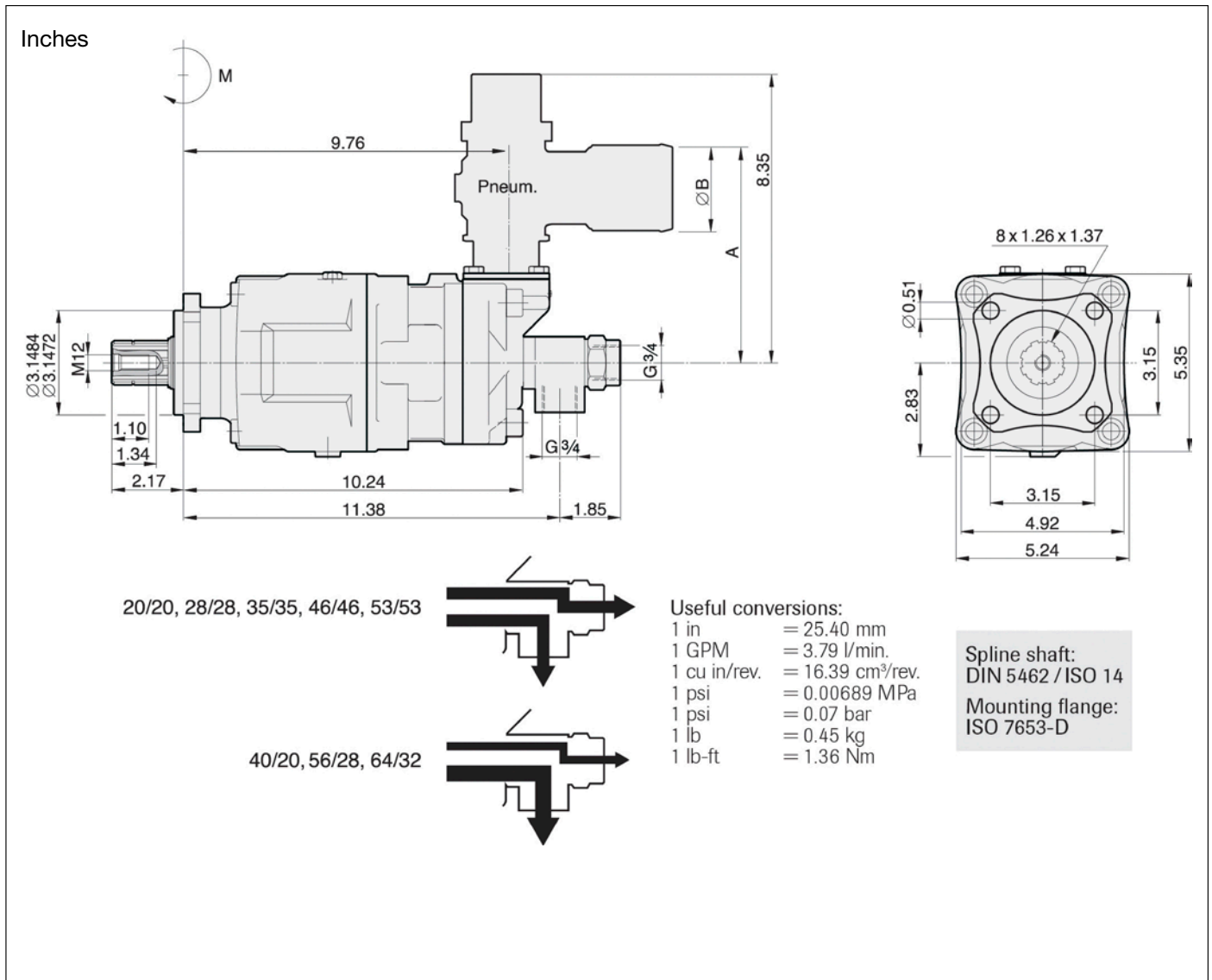
Millimeter



Shaft:
DIN 5462 / ISO 14
Mounting Flange:
ISO 7653-D

| | 20/20 | 28/28 | 40/20 | 35/35 | 56/28 | 46/46 | 53/53 | 64/32 |
|---|-------|-------|-------|-------|-------|-------|-------|-------|
| A | 133 | 133 | 133 | 133 | 166 | 166 | 166 | 166 |
| B | 50 | 50 | 50 | 50 | 64 | 64 | 64 | 64 |

Dimensions SLPD 20/2064/32 DIN SAVTEC



| | 20/20 | 28/28 | 40/20 | 35/35 | 56/28 | 46/46 | 53/53 | 64/32 |
|---|-------|-------|-------|-------|-------|-------|-------|-------|
| A | 5.24 | 5.24 | 5.24 | 5.24 | 6.54 | 6.54 | 6.54 | 6.54 |
| B | 2.0 | 2.0 | 2.0 | 2.0 | 2.5 | 2.5 | 2.5 | 2.5 |



WARNING!

When the pump is running:

1. Do not touch the pressure hose
2. Watch out for rotating parts
3. The pump and hoses may be hot

Sunfab reserves the right to make changes in design and dimensions without notice. Printing and typesetting errors reserved.

© Copyright 2023 Sunfab Hydraulics AB. All Rights Reserved.