



**SCPD 76/76 DIN is a dual flow pump with two separate flows of equal sizes.**

SCPD 76/76 DIN gives a maximum flow of  $127 + 127 = 254$  lit/min and supports a maximum working pressure of 350 bar. It can effectively be directly mounted on gear boxes equipped with engageable and disengageable power take-offs. SCPD 76/76 is a modern, compact pump, which meets the market's high demands on flow performance, pressure, efficiency and small installation dimensions. It is speed optimised and therefore supplied for either left (L) or right (R) rotation direction.

**Other advantages:**

- Large displacement gives the possibility of low engine speeds and low noise levels.
- Long life due to high demands on material selection, such as bearings, seals, etc.
- O-rings on all contact surfaces as well as double shaft seals eliminate oil leakage from the pump and power take-off.
- Highest displacement-to-size-ratio on the market.

## Versions, main data

SC	PD	-	76/76	L	-	N	-	DL4	-	L35	-	S0	S	-	2	00
Line	1		2	3		4		5		6		7	8		9	10

Line	
SC	Sunfab Compact, bent-axis design

1. Type	
P	Dual flow pump

2. Displacement	
	76/76

3. Direction of rotation	
R	Right
L	Left

4. Shaft seal	
N	Nitrile

5. Mounting flange	
DL4	DIN 4-h (ISO 7653D)

6. Shaft	
L35	DIN 5462 / ISO 14

7. Connection cover	
S0	40° Sunfab standard

8. Connections	
S	Sunfab standard

9. Additional	
2	Optimised

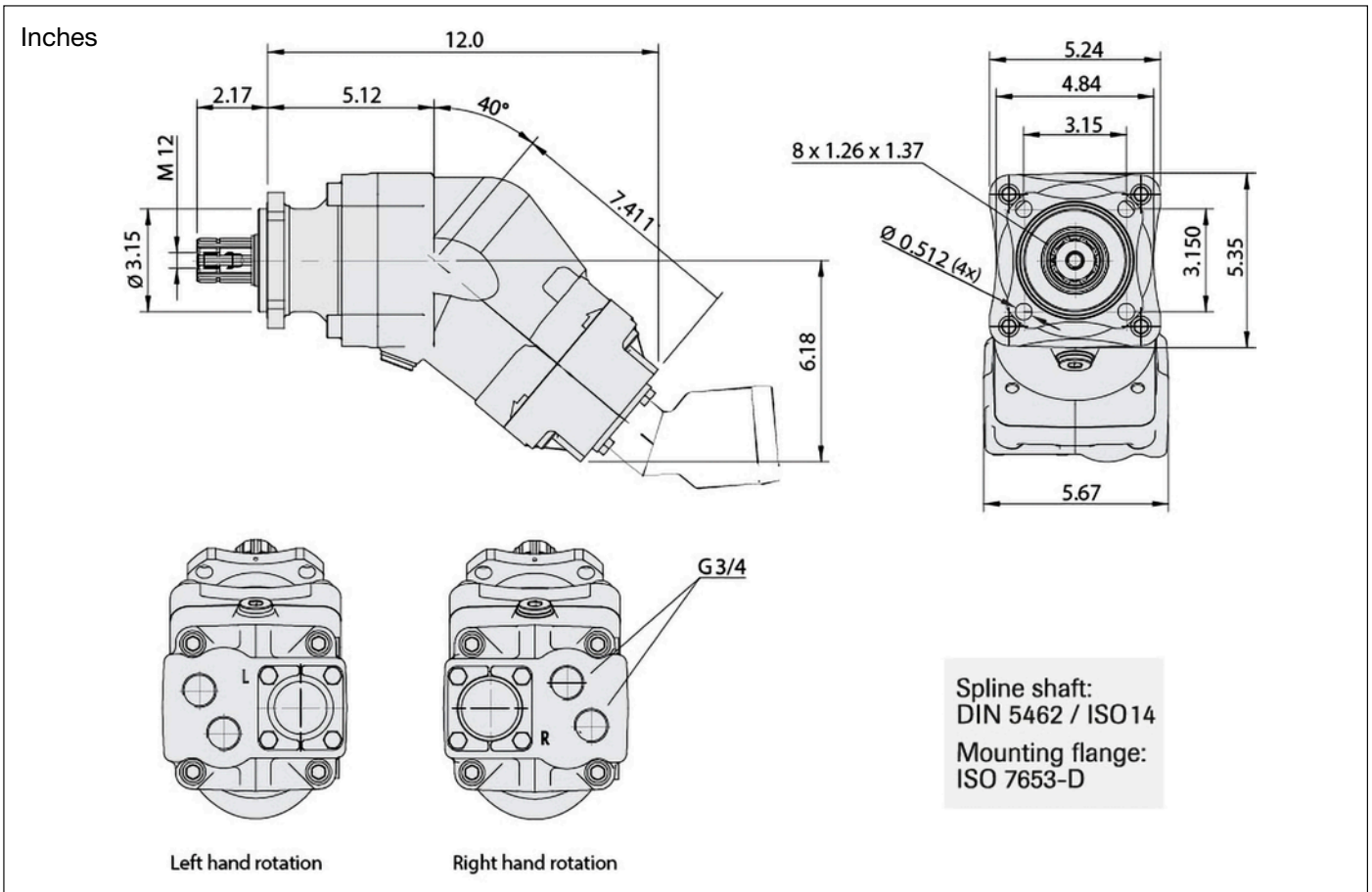
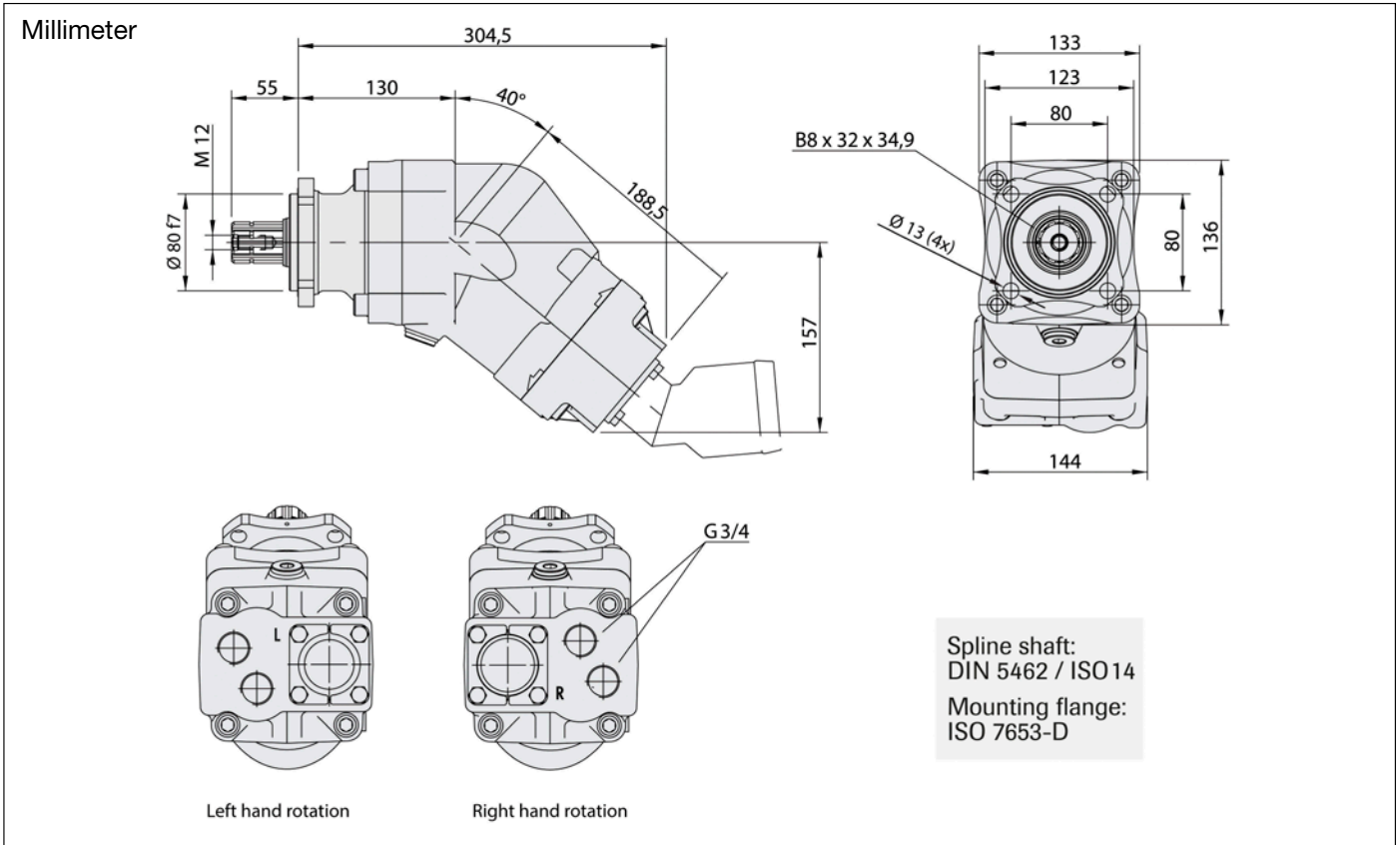
10. Accessories	
00	No accessories available

SCPD 76/76 DIN

Theoretical oil flow, A+B at pump speed				
rpm	1000*	l/min		
	1500	76+75=150	113+113=226	
Displacement				
cm <sup>3</sup> /rev		75+75		
Max pump speed				
continuous	rpm	1500		
intermittent		1700		
Max working pressure				
bar		350		
Weight				
kg		23.2		
Tare-weight torque (M)				
Nm		34.5		
Theoretical power at pressure and pump speed				
rpm	1000*	200 Bar	250 Bar	350 Bar
		25.0+25.0=50.0 kW	31.3+31.3=62.6 kW	43.8+43.8=87.6 kW
	1500	37.5+37.5=75 kW	46.9+46.9=93.8 kW	65.6+65.6=131.2 kW
Nominal torque on pump shaft at different pressures				
		200 Bar	250 Bar	350 Bar
		239+239=478 Nm	298+298=596 Nm	418+418=836 Nm
Direction of rotation				
Left (L) or Right (R)				

\*We recommend a minimum pump speed of 1000 rpm to obtain optimal performance, efficiency and lifespan of the pump.

## Dimensions SCPD 76/76 DIN





**WARNING!**

When the pump is running:

1. Do not touch the pressure hose
2. Watch out for rotating parts
3. The pump and hoses may be hot

Sunfab reserves the right to make changes in design and dimensions without notice. Printing and typesetting errors reserved.

© Copyright 2023 Sunfab Hydraulics AB. All Rights Reserved.